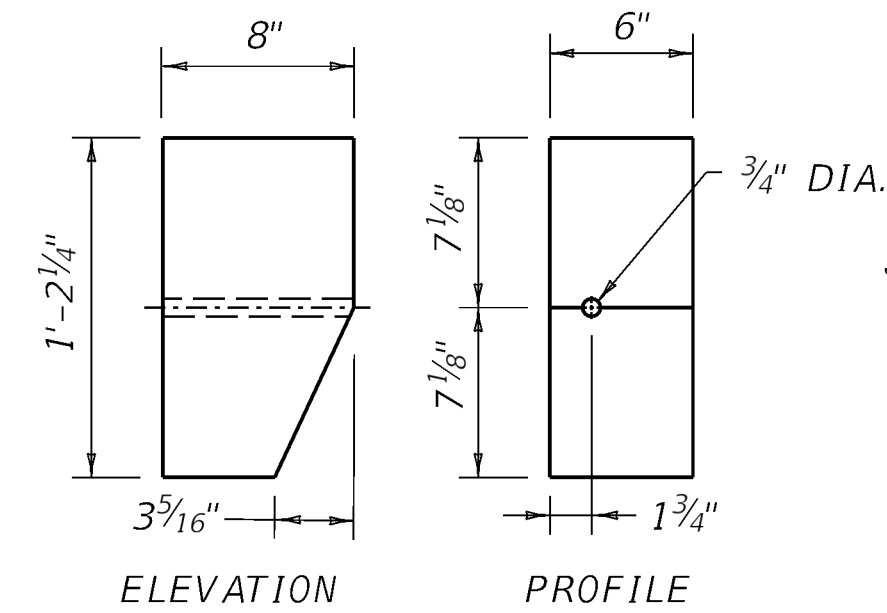
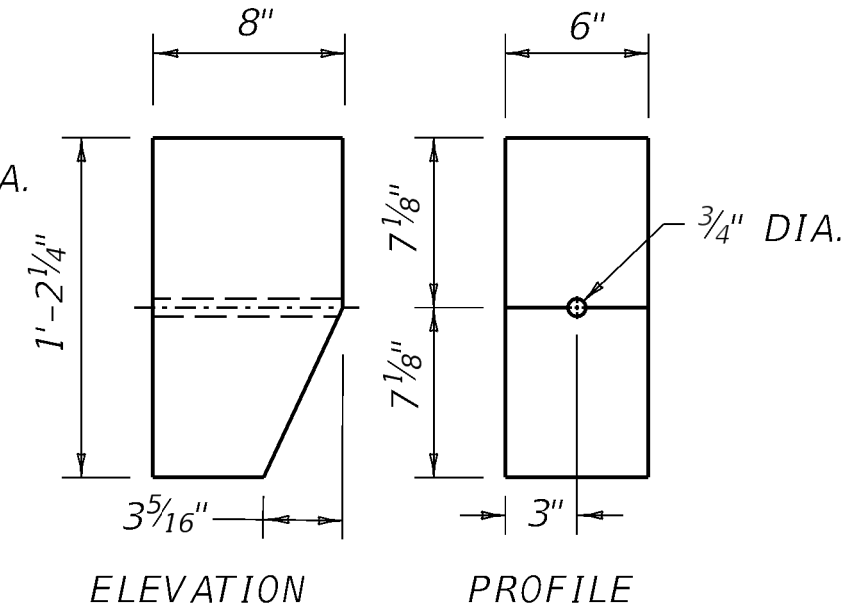


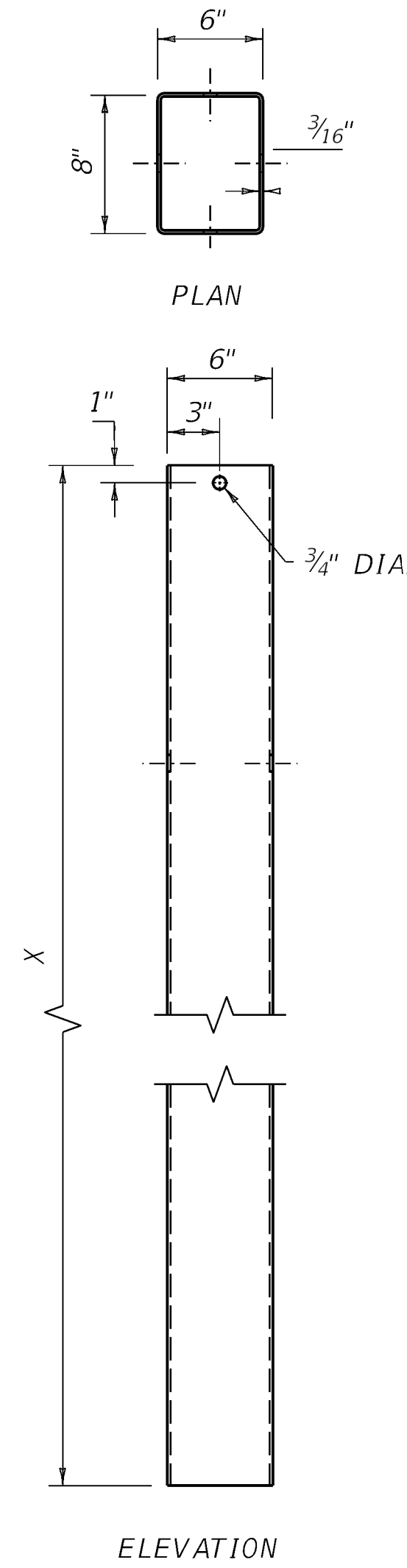
**BLOCKOUT (D1)**



**BLOCKOUT (D2)**

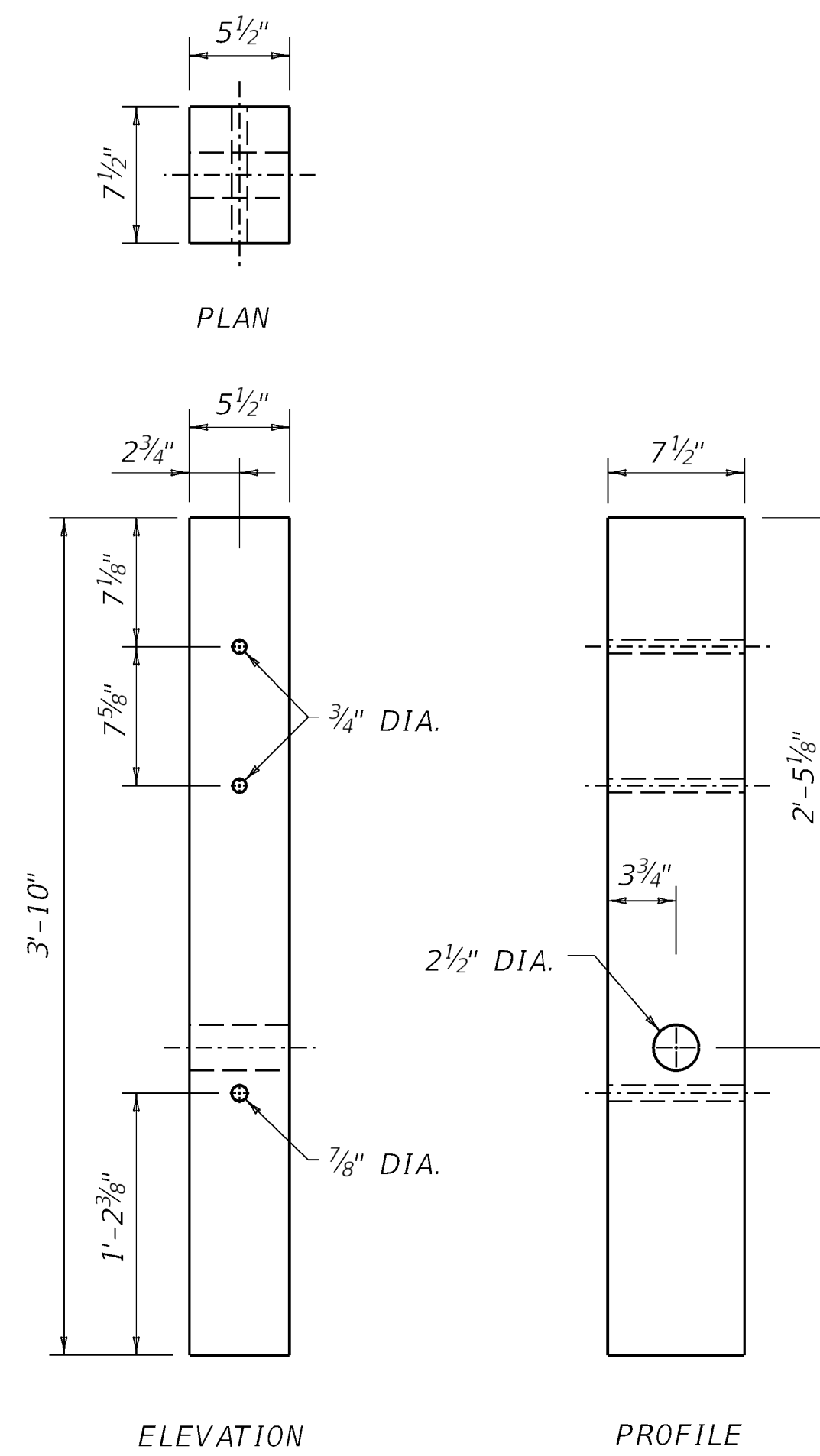


**BLOCKOUT (D3)**

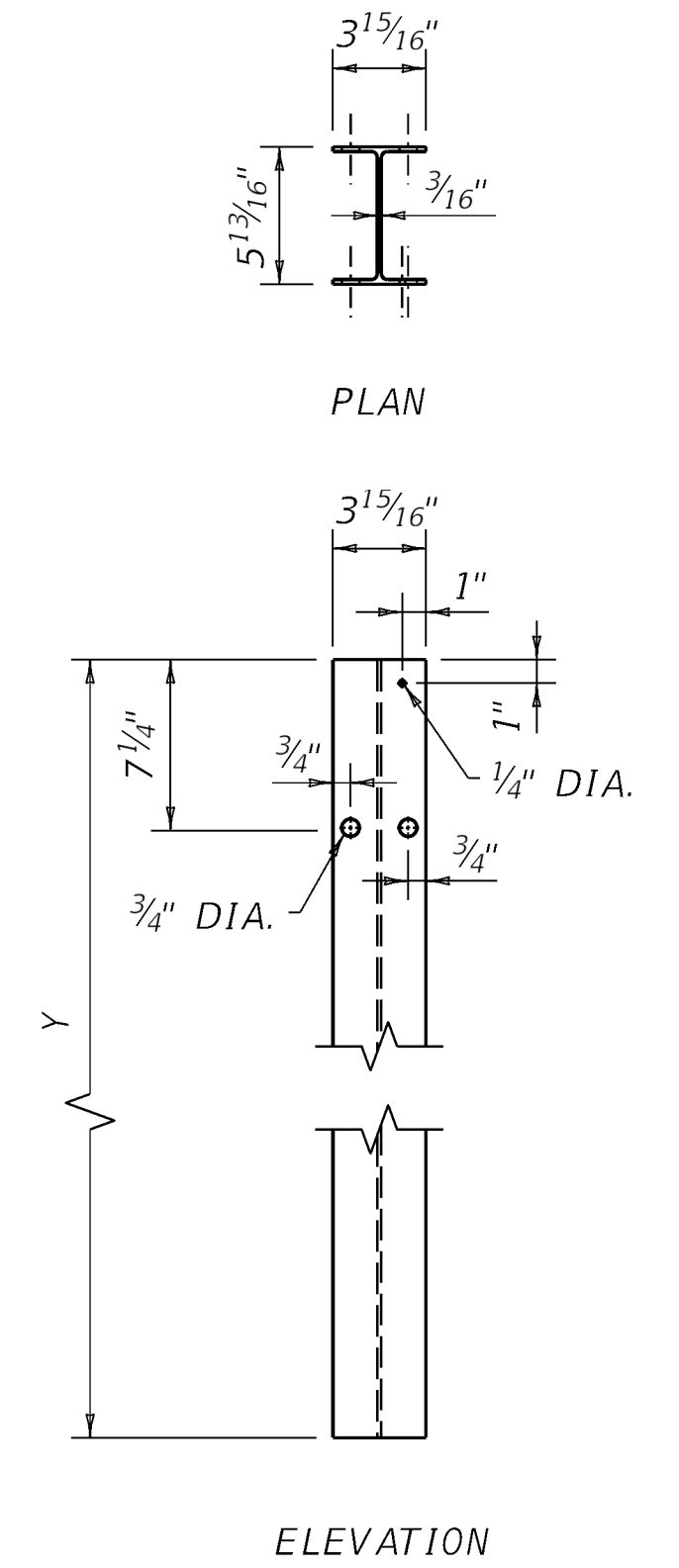


**FOUNDATION TUBE (A1, A2, & B2)**

PART	LENGTH "X"
A1	8' - 0"
A2	6' - 0"
B2	3' - 4"

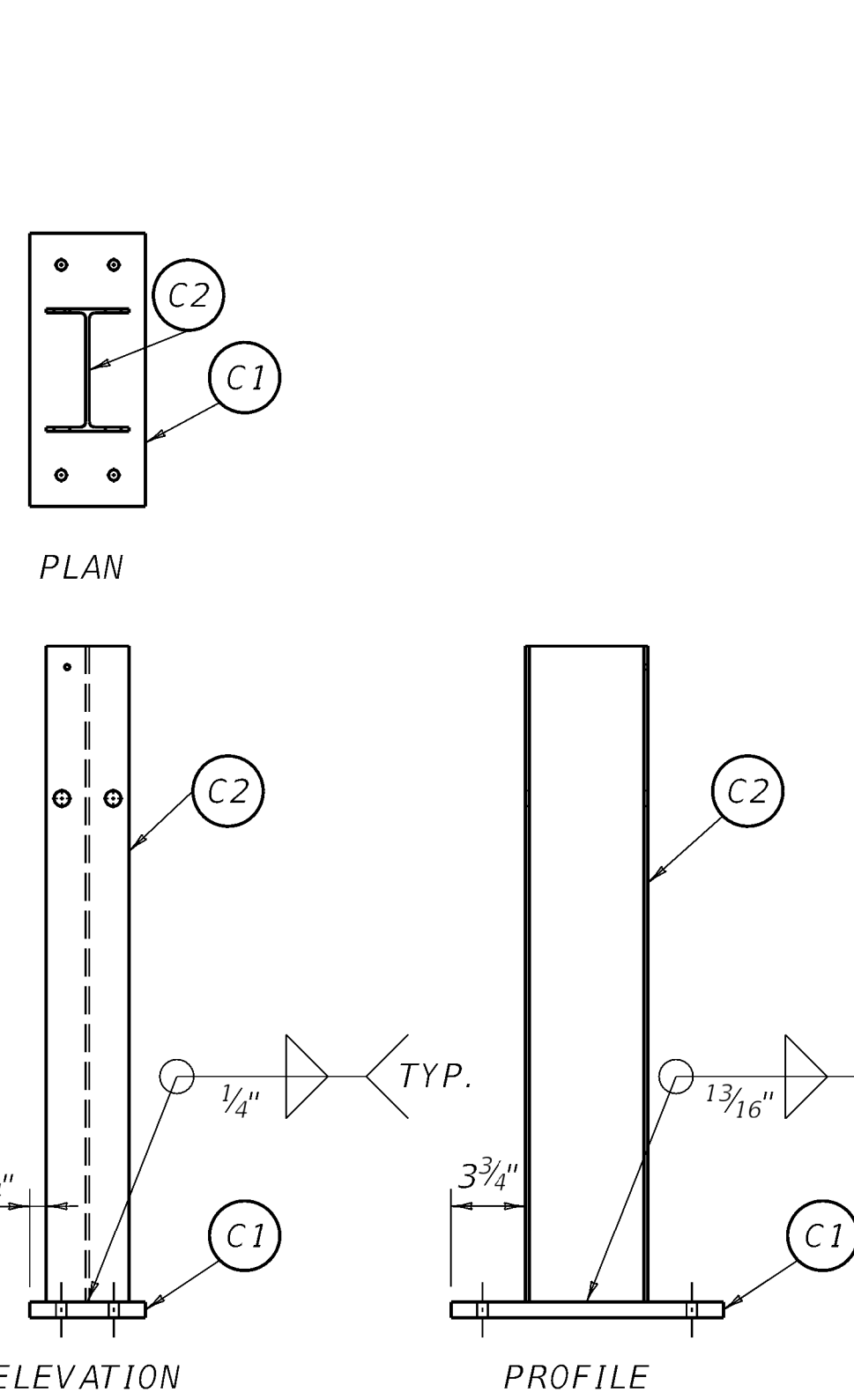


**BCT POST (L1)**

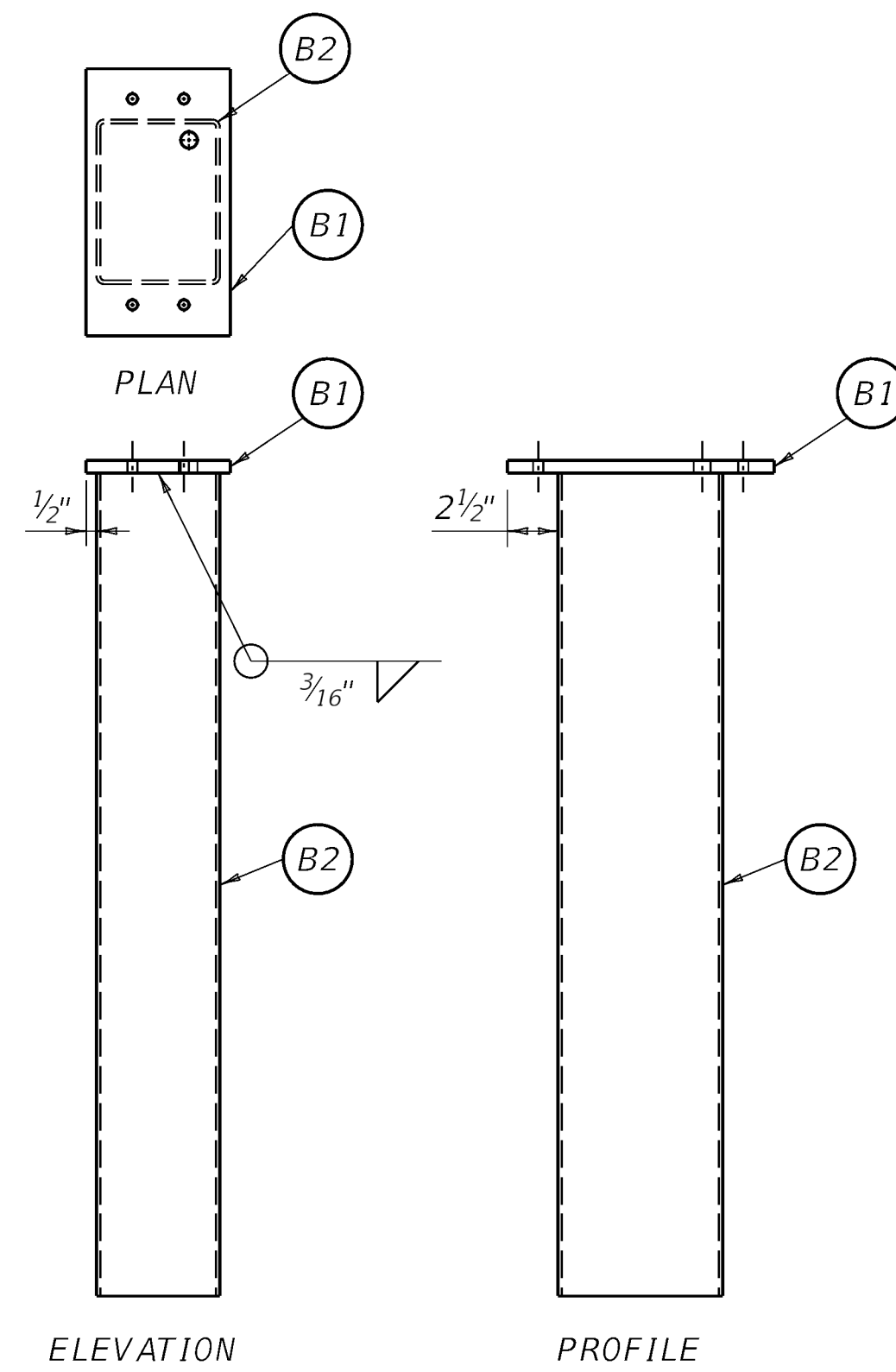


**POST (M1 & C2)**

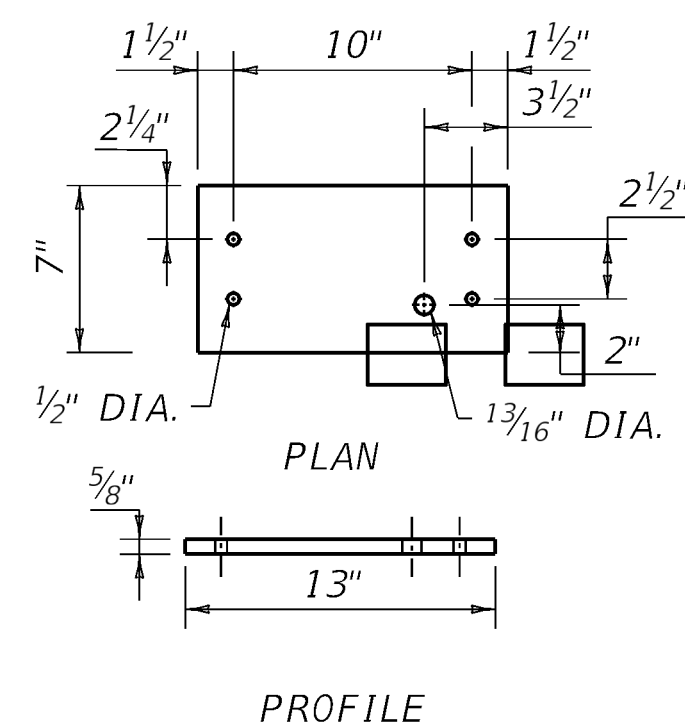
PART	LENGTH "Y"
M1	6' - 6"
C2	2' - 7 1/4"



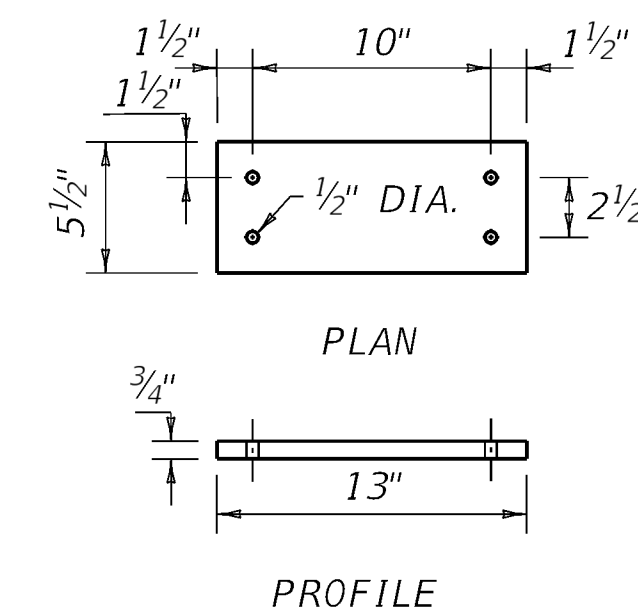
**UPPER POST ASSEMBLY**



**LOWER POST ASSEMBLY**



**LOWER SHEAR PLATE (B1)**



**UPPER SHEAR PLATE (C1)**

**~ NOTES ~**

700 SEE SHEET 10 FOR PART DESCRIPTIONS.

SUBMITTED *W. J. Lypson* 12-10-2024  
DIVISION DIRECTOR DATE



COMMONWEALTH OF KENTUCKY  
DEPARTMENT OF HIGHWAYS

SEPIA 095: STEEL THRIE BEAM BULLNOSE TERMINAL

SHEET 007: POST, BLOCK, AND HARDWARE DETAILS

REVISION DATE: 12.10.2024  
REVISION NUMBER: 0

ITEM NO. COUNTY OF  
SHEET NO.